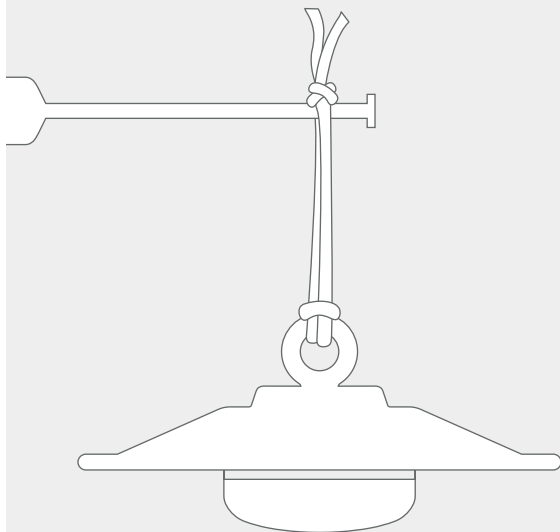


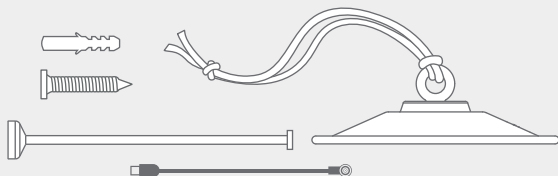
# CHAP-O



**EN** Manual - page 5  
**FR** Manuel - page 10  
**DE** Handbuch - seite 15  
**ES** Manual - página 20  
**IT** Manuale - página 25

**fatboy®**

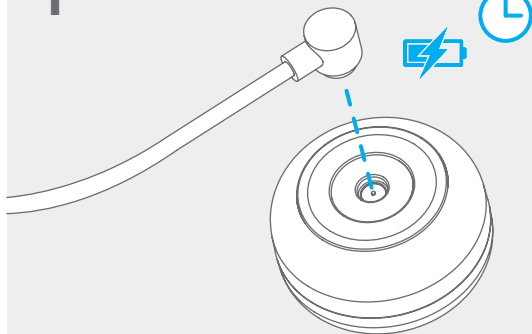
# ASSEMBLY INSTRUCTIONS



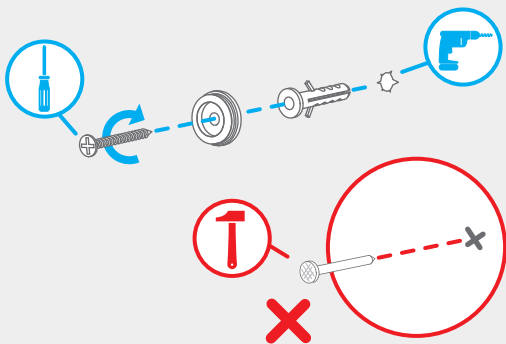
- EN** Contents of this box
- FR** Contenu du carton
- DE** Der Inhalt des Kartons
- ES** Contenido de la caja
- IT** Contenuto di questa scatola



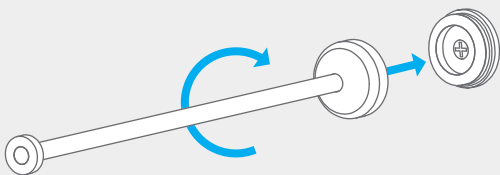
1



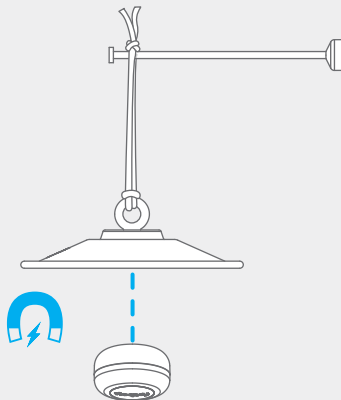
**2**



**3**



4



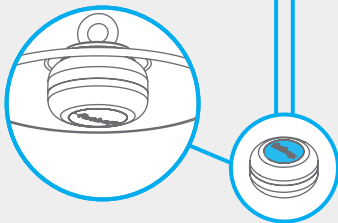
5

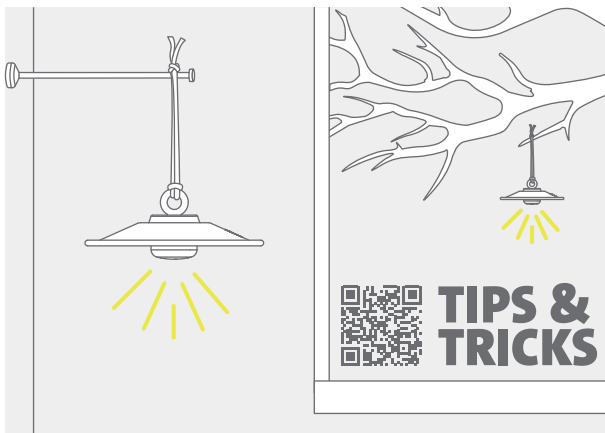


**PRESS ONCE  
TO TURN ON/OFF**



**PRESS & HOLD  
TO ADJUST BRIGHTNESS**





## EN

### Fatboy® product information Chap-O:

The Fatboy® Chap-O is an atmospheric light with a built-in rechargeable battery. The light source contains 12 LED modules emitting 2200K (warm white) light and the brightness can easily be adjusted. Chap-O can be used both indoors and outdoors and is resistant to moisture from water sprayers or light rain. The lamp comes equipped with a USB-A to Magnetic pogopin connection. Please make sure to use a 5V 1A adapter to charge Chap-O. A fully-charged lamp remains lit for more than 10 hours (at 100% brightness) and up to 99 hours at the lowest brightness setting.

### WARNING: READ ALL INSTRUCTIONS BEFORE USE! SAVE THESE INSTRUCTIONS!



- Make sure to use a 5V 1A USB adapter (using a different power adapter may cause irreparable damage to the luminaire).
- Use only the supplied USB cable to charge the lamp.
- This is not a toy, please keep away from children.
- Non-replaceable light source: The light source of this luminaire is not replaceable; when the light source reaches its end of life the whole luminaire shall be replaced.

**Battery:**

If the battery will not hold a charge anymore, please contact your Fatboy® dealer. The disposal of electronic devices containing battery's should be in compliance with any local regulations that address the disposal of hazardous materials. Do not incinerate!

**Instructions for use:**

- When using outdoors basic safety precautions should always be followed to reduce the risk of fire, electric shock, and personal injury, including the following.
- Make sure to position the Chap-O in a suitable location:
  - When using this product outdoors, we recommend you avoid exposing it to any direct rain or water from other sources, such as sprinklers, to keep water from entering the lamp.
  - Hanging/Mounting instructions: Using the wallmount and cord provided with Chap-O. When using the wallmount included please note following: The mounting screw/plug (included) can be used at stone, concrete or brick walls.
    - Please make sure to use the correct fasteners in case you would like to apply Chap-O to another kind of surface.
    - The wallmount should be able to support a minimum of 5kg to comply with basic safety regulations. If needed, ask a professional for advice.
    - Make sure the lamp is fixed well wherever you use it, so it won't fall. This could cause injury or damage!
- Make sure to connect the USB connector correctly to avoid damage.

- Do not expose the lamp to excessive heat from heat sources.
- Always charge the lamp indoors.

Connect the USB/Magnet charging cable to the USB adapter. Plug the recommended 5V 1A adapter into the wall socket. Snap the magnetic pogopin to the back of the lamp to start charging. The lamp can easily be taken out of the shade because it is connected by a magnet.

- For first time use, we advise you to charge the built-in battery for at least 2 hours.
- For normal charging, it will take approx. 1.5 hours to fully charge the lamp.
- The lamp can be operated by pressing the button on the front side of the lamp.
  - 1: The lamp is turned off
  - 2: Press one time: the light will turn on.
  - 3: Press and hold to set the light intensity. The brightness will increase and decrease in a loop and will remain at the chosen intensity once the switch is released.
  - 4: Press third time: the light will turn off.
  - 5: Press again: the lamp will turn on again to the last intensity setting.
  - 6: Pressing the button twice (while on) will allow you to directly set the lamp to 100% or 10% brightness.
- When the lamp stops emitting light, it needs to be recharged. Always charge the lamp indoors.

### Maintenance:

When not in use for an extended period of time, make sure the lamp is turned off. We recommend recharging the lamp every three months to keep the battery in good condition. To avoid wear and tear try to store the Chap-O indoors during seasons of heavy rain or low temperatures. Some of the components can be replaced if they are damaged. Visit our website or use the following QR code to find the instructions (we recommend following the instructions in order to guarantee good result).

### Cleaning the lamp:

Use a soft cloth, preferably dry or, if needed, moistened with lukewarm water and mild liquid soap. Please be gentle to avoid any scratching. Do not use cleaning agents containing alcohol, ammonia, benzene, or abrasive substances. Never open the lamp when cleaning.

### Trouble shooting:

The lamp is not working:

- Check the connection with the adapter and make sure the lamp is charging. The charger works when it's connected to the Chap-O and a red LED indicates a proper connection. The LED indicator light blinks during the charging procedure and will stop blinking once the battery is fully charged.
- If the lamp doesn't charge anymore, please contact your Fatboy® dealer.
- If the lamp only works with the charger connected, it may indicate that the batteries are defective.
- If the lamp doesn't charge please check the charging connections on the lamp

and on the cable. Small particles might interfere with the contact surfaces of the two magnets causing a poor connection. A proper connection will be indicated when the red LED indicator light starts blinking.

- Do not use the lamp if the USB cable is damaged.

If the lamp no longer works it may be unsuitable for use. If this is the case, please contact your Fatboy® dealer.

Never attempt to repair the lamp yourself without following the proper instructions.

### IMPORTANT!

Please contact your Fatboy® dealer if you have any other problems.

### Technical specifications:

Model: Chap-O

Secondary rating (adapter recommendation): 5 VDC, 1 A

Charging rate: 5V 1A (Charger not included)

Charging cable Chap-O : 60cm USB-A / Magnetic pogopin (6mm)

Made in China

Indoor/outdoor: This Product is suitable for Wet Location Use

Safety Class: Class III

Light source: 12x 0.2W

On/Off switch: Stepless dimmer.

IP Rating: IP55

Ambient temperature:

-10 to 40°C

Materials: Steel/Electrophoresis/Powder coating /Nylon (Rope)/ABS/Softtouch coating (Light).



**IP55**  
t<sub>a</sub>:40°C

Internal battery: Li-ION Polymer

650mA, 3.7V

Dimensions: Ø 15.7 x 6.5 cm

Weight: 0.32 kg

If any of the items are damaged or if the lamp doesn't work contact your Fatboy dealer or search for help on our website. We do not recommend to use the luminaire with the adapter connected for a long time, this can seriously reduce the battery life time!

**NOTE: THE LUMINAIRE SHALL BE CHARGED BY AN INDEPENDENT SELV LED DRIVER WHICH IS CERTIFIED WITH STANDARD EN 61347-2-13 (CLASS II, FAIL-SAFE OR SHORT CIRCUIT PROOF, SELV, WITH SUITABLE OUTPUT RATINGS, AND MAXIMUM OUTPUT VOLTAGE SHALL NOT EXCEED 5 VDC) PLEASE MAKE SURE TO USE A 5V, 1A CHARGER TO PREVENT DAMAGE TO YOUR CHAP-O**

**CE-directive:**

This product complies with the requirements and other relevant provisions of the current European RoHS and CE directives 2014/35/EC, 2014/30/EC and 2011/65/EC.



**UL listed:**

This product is produced and tested according to the UL 153 regulations.



**FCC compliant:**

Supplier's Declaration of Conformity  
This device complies with Part 15 of the FCC Rules. Operation is subject to the

following two conditions: (1) this device may not cause harmful interference, and (2) this device must accept any interference received, including interference that may cause undesired operation.

**WEEE instruction:**

This product is subject to the provisions of the WEEE directive 2012/19/EU. Do not dispose of this product together with regular household waste. Consult your local waste disposal authorities for information on collecting points for electrical and electronic waste products.



**UKCA:**

This product is in conformity with the relevant statutory requirements of the UK applicable to this product.



**Terms of guarantee:**

We thank you for purchasing this Fatboy® product and trust that you will enjoy using it. Should you need to use our guarantee service, please contact your Fatboy® dealer. For more information about our dealers, please visit [www.fatboy.com](http://www.fatboy.com).

**NOTE:**

Changes or modifications which are not explicitly approved by the party responsible for compliance may void the user's authorization to use the equipment.

**NOTE:**

This equipment has been tested and found to comply with the limits for a